



REPAIR PARTS MANUAL
MODEL NO. AB12591 (AB12592A)
Lawn Tractor



HOW TO USE THIS MANUAL

This manual is designed to provide the customer with a means to identify the parts on his/her tractor when ordering repair parts. The illustrations may or may not represent the actual assemblies; therefore, it is not recommended to use this manual as a guide to assemble or disassemble the tractor. Some hardware and parts are drawn larger in order to more readily identify them.

Each tractor has its own model number.

The model number for your tractor can be found on the fender under the seat.

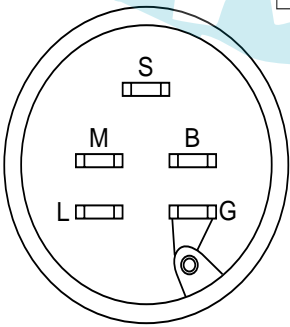
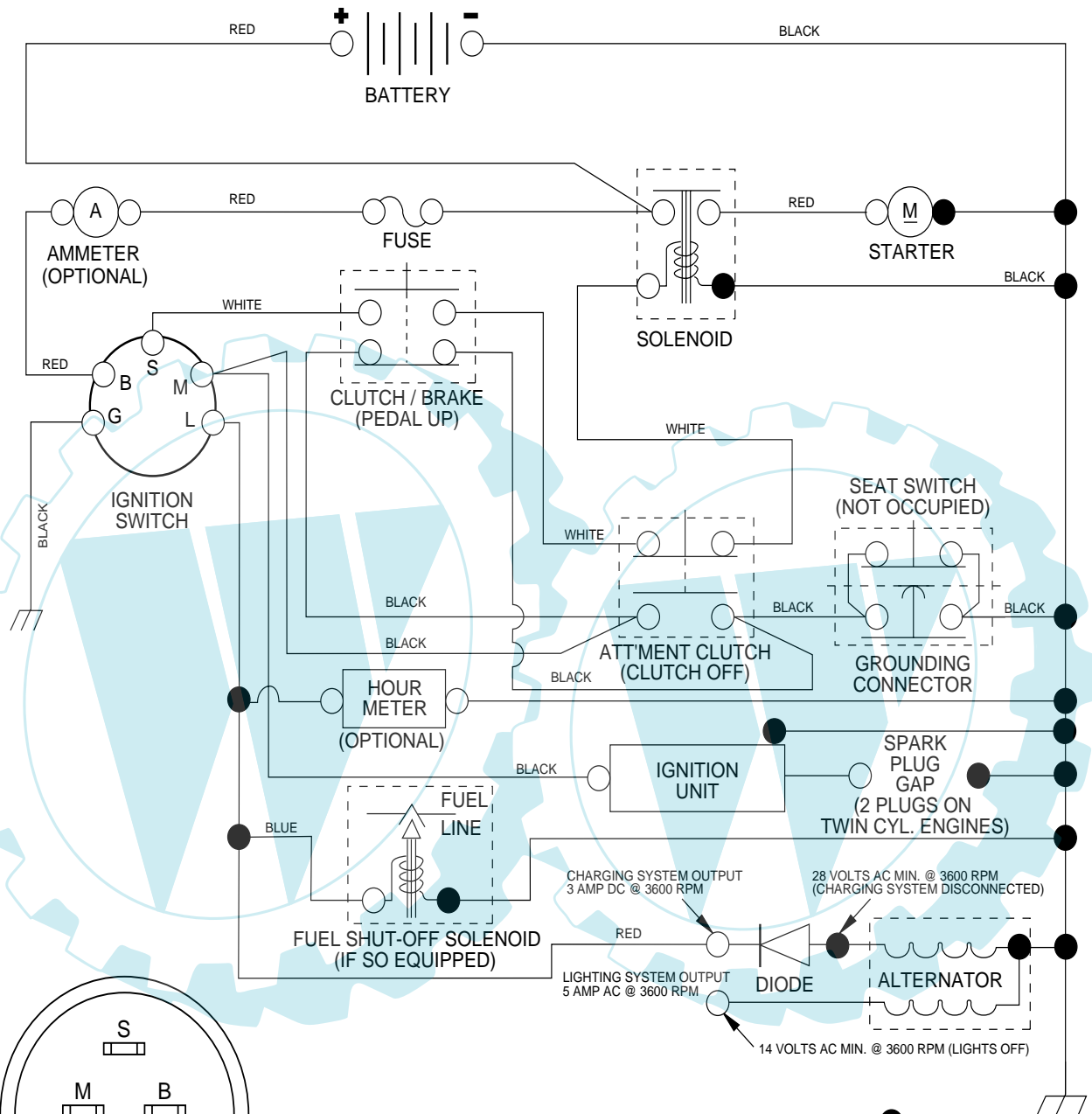
When ordering parts, always give the following information:

- Product - "Lawn Tractor"
- Model Number - AB12591 (AB12592A)
- Part Number
- Part Description

TABLE OF CONTENTS

SCHEMATIC	3
ELECTRICAL.....	4-5
CHASSIS AND ENCLOSURES.....	6-7
DRIVE.....	8-9
STEERING WHEEL	10-11
ENGINE.....	12-13
SEAT	14
DECALS.....	15
MOWER DECK	16-17
MOWER LIFT.....	18-19
WARRANTY.....	23

**TRACTOR - MODEL NO. AB12591 (AB12592A), PRODUCT NO. 964 79 41-00
SCHEMATIC**



IGNITION SWITCH

POSITION	CIRCUIT
OFF	M + G
ON	B + L
START	B + S + L

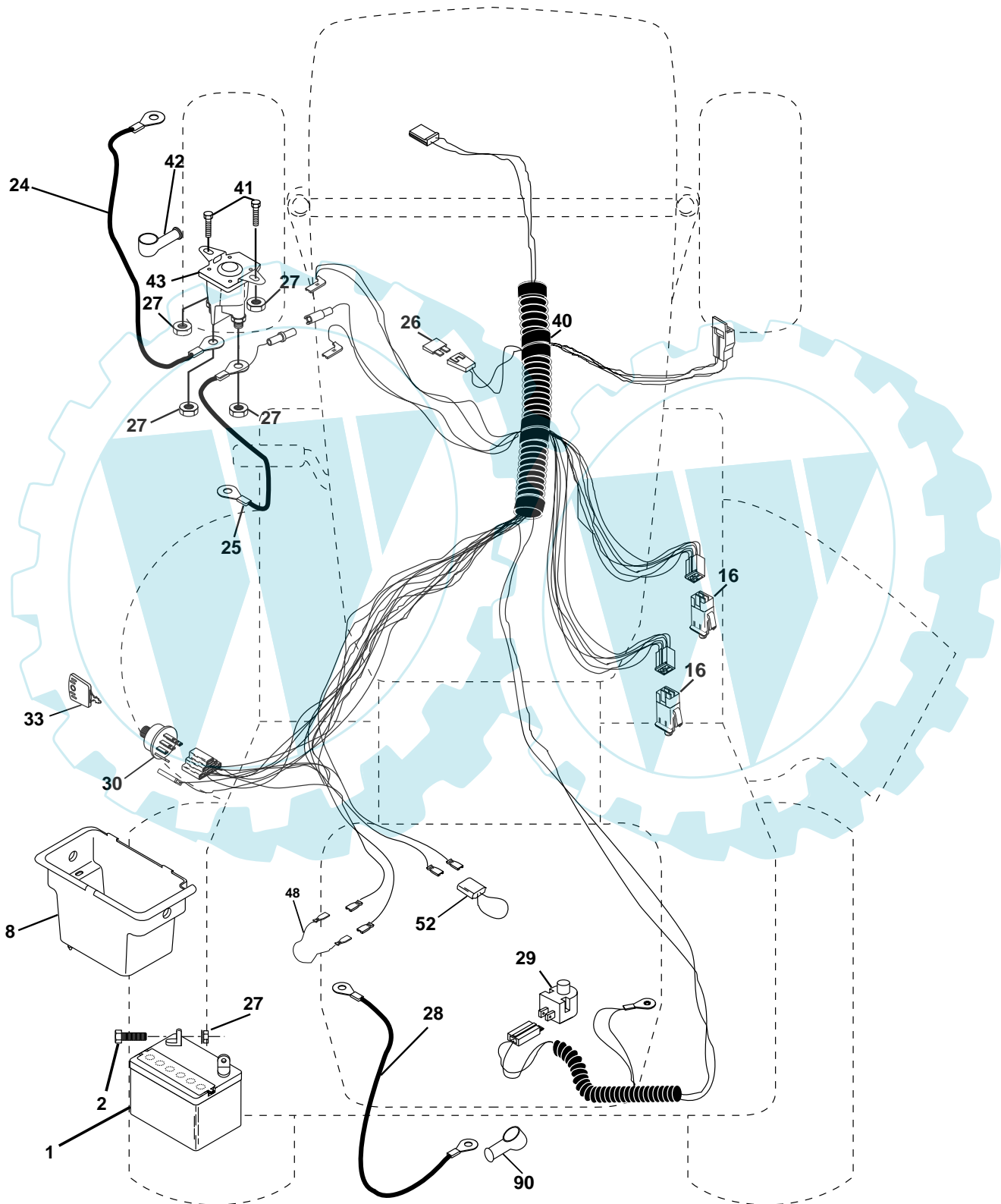
WIRING INSULATED CLIPS
NOTE: IF WIRING INSULATED CLIPS WERE REMOVED FOR SERVICING OF UNIT, THEY SHOULD BE REPLACED TO PROPERLY SECURE YOUR WIRING.

●
NON-REMOVABLE CONNECTIONS

○
REMOVABLE CONNECTIONS

REPAIR PARTS

TRACTOR - MODEL NO. AB12591 (AB12592A), PRODUCT NO. 964 79 41-00
ELECTRICAL



REPAIR PARTS

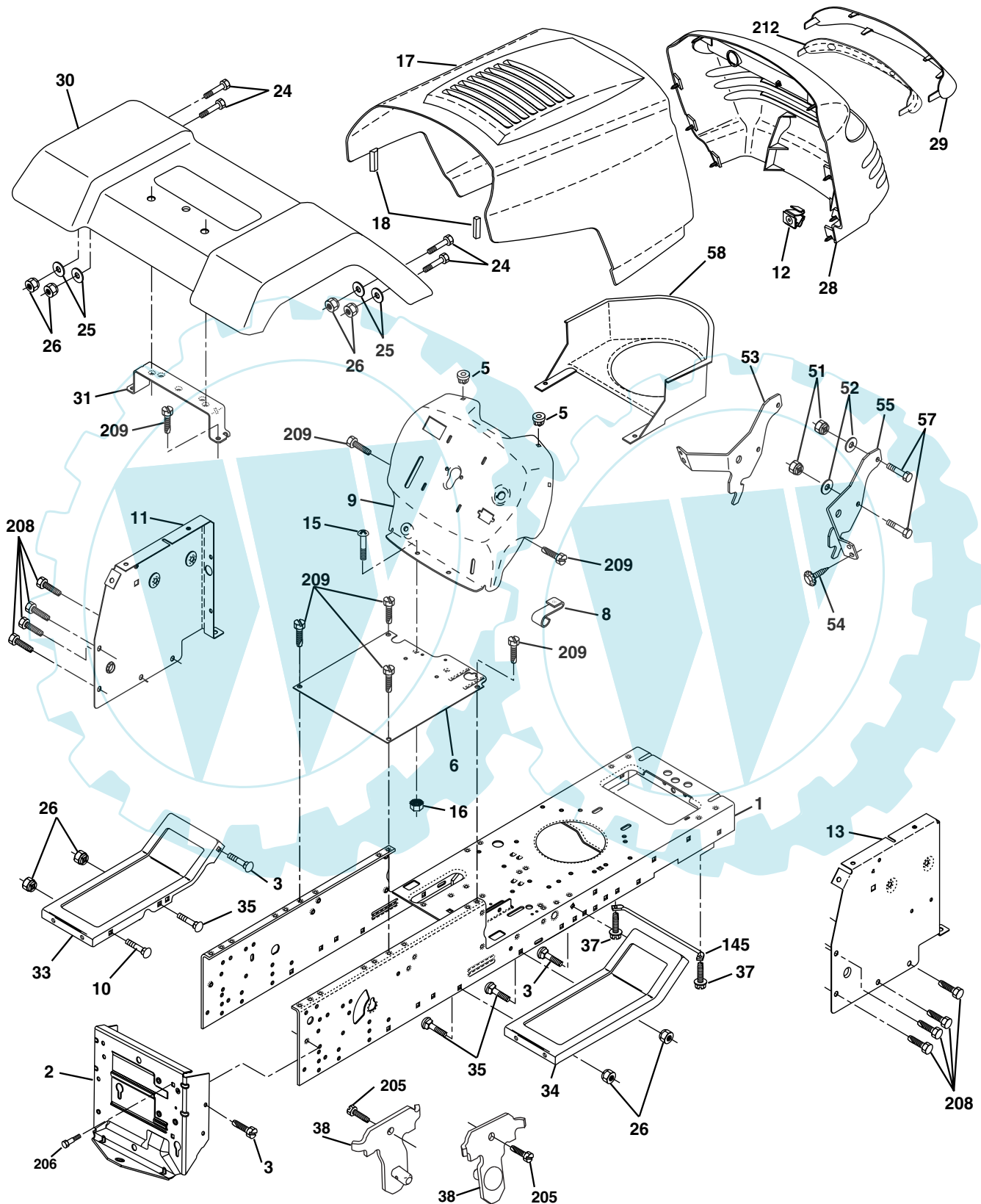
TRACTOR - MODEL NO. AB12591 (AB12592A), PRODUCT NO. 964 79 41-00
ELECTRICAL

KEY NO.	PART NO.	DESCRIPTION
1	532 16 34-65	Battery 12 Volt 28 AMP
2	874 76 04-12	Bolt Hex Hd 1/4-20unc X 3/4
8	532 17 66-89	Box Battery
16	532 17 61-38	Switch Interlock Push-In
24	532 12 47-80	Cable Battery 6 Ga 11" red
25	532 14 61-47	Cable Battery 6 Ga 44" red w/16 wire
26	532 17 51-58	Fuse 20 AMP
27	873 51 04-00	Nut Keps Hex 1/4-20 Unc
28	532 12 47-73	Cable Ground 6 Ga 12" black
29	532 12 13-05	Switch Plunger Nc Gray
30	532 17 55-67	Switch Ign
33	532 14 04-01	Key Ign Molded Generic
40	532 17 97-30	Harness Ign.
41	871 11 04-08	Bolt Blk Fin Hex 1/4 - 20 x 1/2
42	532 13 15-63	Cover Terminal Red
43	532 17 88-61	Solenoid
48	532 14 08-44	Adapter Ammeter Rectangular
52	532 14 19-40	Protection Wire Loop
90	532 18 04-49	Cover Terminal Battery

NOTE: All component dimensions given in U.S. inches.
1 inch = 25.4 mm.

REPAIR PARTS

TRACTOR - MODEL NO. AB12591 (AB12592A), PRODUCT NO. 964 79 41-00
CHASSIS AND ENCLOSURES



REPAIR PARTS

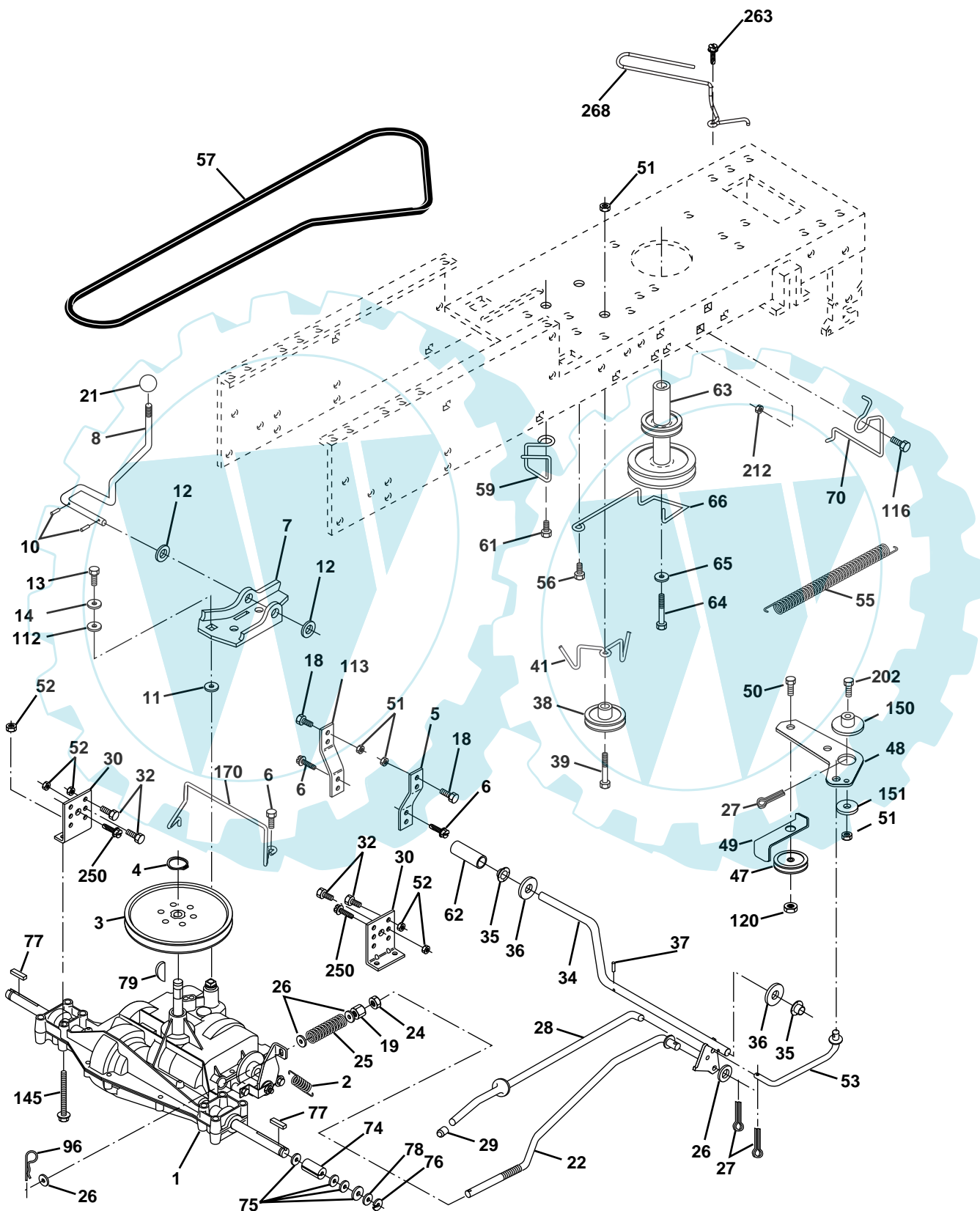
TRACTOR - MODEL NO. AB12591 (AB12592A), PRODUCT NO. 964 79 41-00
CHASSIS AND ENCLOSURES

KEY NO.	PART NO.	DESCRIPTION
1	532 17 46-20	Chassis Stamping
2	532 17 65-54	Drawbar
3	817 06 06-12	Screw 3/8-16x3/4
5	532 15 52-72	Bumper Hood/Dash
6	532 18 25-34	Saddle
8	532 15 51-38	Clip Retainer
9	532 18 54-80	Dash P/L
10	872 14 06-08	Bolt Carriage 3/8-16 x 1
11	532 17 49-96	Panel Dash Lh
12	532 14 56-60	Clip Tinnerman
13	532 18 17-19	Panel Dash Rh
15	874 18 05-12	Screw Mach. TRHD 5/16-18unc x 3/4
16	873 51 05-00	Nut Keps 5/16-18unc
17	532 16 35-57	Hood
18	532 18 49-21	Bumper Hood
24	874 78 06-16	Bolt Fin Hex 3/8-16unc x 1 Gr. 5
25	819 13 13-12	Washer 13/32 X 13/16 X 12 Ga
26	873 80 06-00	Nut Lock Hex W/Ins 3/8-16 Unc
28	532 17 97-80	Grille/Lens
29	532 18 25-36	Lens LT/PL
30	532 18 25-35	Fender Footrest STLT Pnt
31	532 13 66-19	Bracket Support Fender
33	532 18 11-93	Footrest LH
34	532 18 11-94	Footrest RH
35	872 11 06-06	Bolt RDHD SHT SQNK 3/8-16 x 3/4
37	817 49 05-08	Screw Thdrol 6/16-18 x 1/2 TYT
38	532 17 57-10	Bracket, Asm. Pivot, Mower Rear
51	873 80 04-00	Nut Lock Hex W/Ins 1/4-20
52	819 09 14-16	Washer 9/32 x 7/8 x 16 Ga.
53	532 14 46-97	Bracket Grille LH
54	532 16 14-64	Screw Hex Wshd 8-18 x 7/8
55	532 14 46-96	Bracket Grille RH
57	874 78 04-12	Bolt Hex 1/4-20 x 3/4
58	532 15 01-27	Air Duct Engine P/L
145	532 15 65-24	Rod Pivot Chassis/Hood
205	817 49 06-08	Screw Thdrol 3/8-16 x 1/2
206	532 17 01-65	Bolt Shoulder 5/16-18 TT
208	817 67 06-08	Screw Thdrol 3/8-16 x 1/2
209	817 00 06-12	Screw Thdr 3/8-16 x 3/4
212	532 15 64-94	Insert Lens Reflect
--	532 00 54-79	Plug Button

NOTE: All component dimensions given in U.S. inches
1 inch = 25.4 mm

REPAIR PARTS

TRACTOR - MODEL NO. AB12591 (AB12592A), PRODUCT NO. 964 79 41-00
DRIVE



REPAIR PARTS

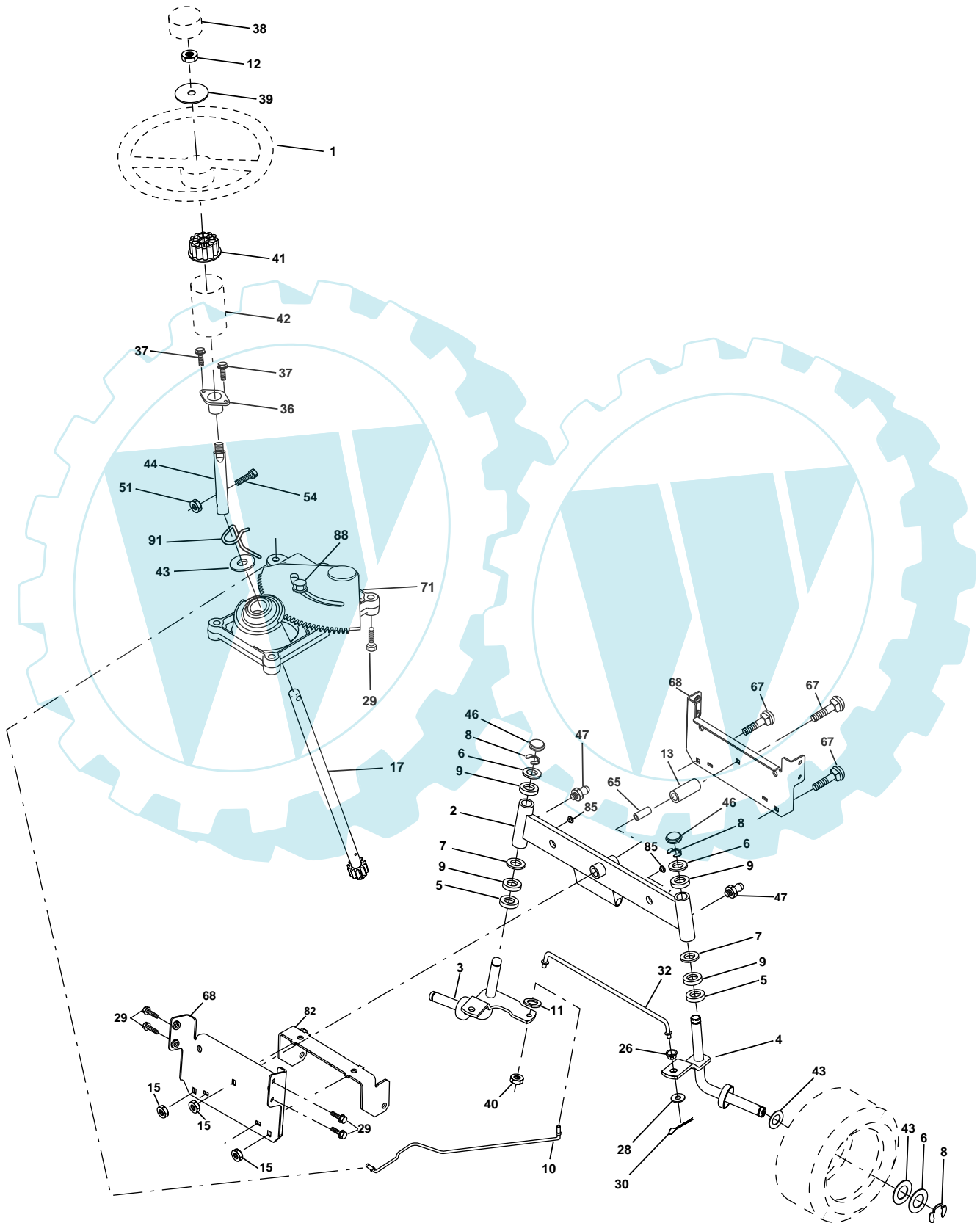
TRACTOR - MODEL NO. AB12591 (AB12592A), PRODUCT NO. 964 79 41-00
DRIVE

KEY PART NO. NO.	DESCRIPTION	KEY PART NO. NO.	DESCRIPTION
1	----- Transaxle, Peerless 205-544C (Order Parts From Transaxle Manufacturer)	50	872 11 06-12 Bolt Carr Sh 3/8-16 x 1-1/2 Gr. 5
2	532 14 66-82 Spring Return Brake T/a Zinc	51	873 68 06-00 Nut Crownlock 3/8-16 Unc
3	532 12 36-66 Pulley Transaxle 18" tires	52	873 68 05-00 Nut Crownlock 5/16-18 Unc
4	812 00 00-28 Ring Retainer # 5100-62	53	532 10 57-10 Link Clutch
5	532 12 15-20 Strap Torque 30 Degrees	55	532 10 57-09 Spring Return Clutch 6 75
6	817 06 05-12 Screw Thdrol 5/16-18 X 3/4 TYT	56	817 06 06-20 Screw 3/8-16 x 1-1/4
7	532 16 22-40 Bracket Saddle Shift	57	532 13 08-01 V-Belt Ground Drive 95 25
8	532 13 16-79 Rod Shift	59	532 16 96-91 Keeper Belt Span Ctr
10	876 02 04-16 Pin Cotter 1/8 X 1 Cad	61	817 12 06-14 Screw 3/8-16 x .875
11	532 10 57-01 Washer Plate Shf 388 Sq Hole	62	532 12 48-72 Cover Pedal
12	819 15 12-16 Washer 15/32 x 3/4 x 16 Ga.	63	532 18 02-19 Engine Pulley
13	874 55 04-12 Bolt 1/4-28 Unf Gr 8 W/Patch	64	871 17 07-64 Bolt Hex
14	810 04 04-00 Washer Lock Hvy Helical 1/4	65	810 04 07-00 Washer Lock Hvy Hlcl Spr 7/16
18	874 78 06-16 Bolt, Fin Hex 3/8-16 UNC x 1 Gr. 5	66	532 15 47-78 Keeper Belt Engine Foolproof
19	873 80 06-00 Nut Lock 3/8-16 Unc	70	532 18 02-18 Guide Belt Mower Drive RH
21	532 10 69-33 Knob	74	532 13 70-57 Spacer Axle
22	532 13 08-04 Rod Brake Blk Zinc 26 840	75	532 12 17-49 Washer 25/32 X 1 1/4 X 16 Ga
24	873 35 06-00 Nut Hex Jam 3/8-16 Unc	76	812 00 00-01 E-ring #5133-75
25	532 10 68-88 Spring Rod Brake 2 00 Zinc	77	532 12 35-83 Key Square 2 0 X 1845/ 1865
26	819 13 13-16 Washer 13/32 X 13/16 X 16 Ga	78	532 12 17-48 Washer 25/32 X 1-5/8 X 16 Ga
27	876 02 04-12 Pin Cotter 1/8 X 3/4 Cad	79	532 12 50-96 Key Woodruff #9 3/16 x 3/4
28	532 17 57-65 Rod Brake Parking LT/YT	96	532 12 47-88 Retainer Spring 1"
29	532 07 16-73 Cap Brake Parking Black	112	819 09 12-10 Washer 9/32 x 3/4 x 10 Ga.
30	532 17 49-73 Bracket Mtg Transaxle	113	532 12 72-85 Strap Torque LT
32	874 76 05-12 Bolt Hex Hd 5/16-18unc X 3/4	116	872 14 06-08 Bolt Rdhd Sq Neck 3/8-16 x 1
34	532 17 55-78 Shaft Asm Pedal Foot	120	873 90 06-00 Nut Lock Flg. 3/8-16
35	532 12 01-83 Bearing Nylon Blk 629 Id	145	874 49 05-40 Bolt Hex Flg Hd 5/16-18 Gr 5
36	819 21 16-16 Washer 21/32 X 1 X 16 Ga	150	532 17 54-56 Spacer Retainer
37	532 12 49-63 Pin Roll 3/16 X 1"	151	819 13 32-10 Washer 13/32 x 2 x 10 Ga.
38	532 17 91-14 Pulley Composite	170	532 17 83-94 Keeper Belt T/A
39	874 76 06-48 Bolt Fin Hex 3/8-16 unc X 3	202	872 11 06-14 Bolt Carr Sh 3/8-16 x 1-3/4 Gr 5
41	532 17 55-56 Keeper Belt Idler Flat	212	532 14 52-12 Nut Hex Flg Lock
47	532 12 77-83 Pulley Idler V Groove Plastic	250	817 06 06-12 Bolt Hex Hd 5/16-18unc x 3/4
48	532 15 44-07 Bellcrank Clutch Grnd Drv Stl	263	817 00 06-12 Screw Hexwsh THDR 3/8-16 x 3/4
49	532 12 32-05 Retainer Belt Style Spring	268	532 18 24-03 Guard Muffler L-Head B & S LH

NOTE: All component dimensions given in U.S. inches
1 inch = 25.4 mm

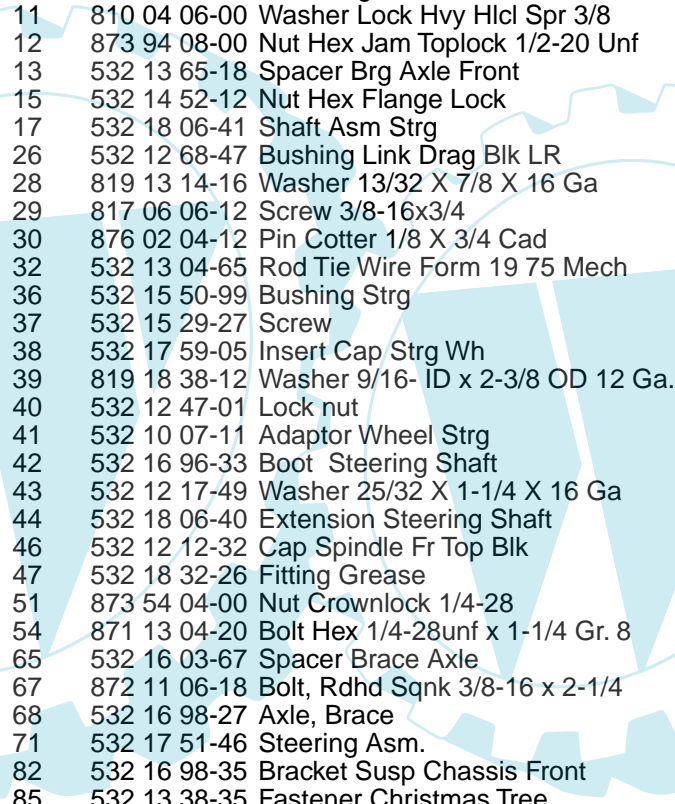
REPAIR PARTS

TRACTOR - MODEL NO. AB12591 (AB12592A), PRODUCT NO. 964 79 41-00
STEERING ASSEMBLY



REPAIR PARTS

TRACTOR - MODEL NO. AB12591 (AB12592A), PRODUCT NO. 964 79 41-00
STEERING ASSEMBLY

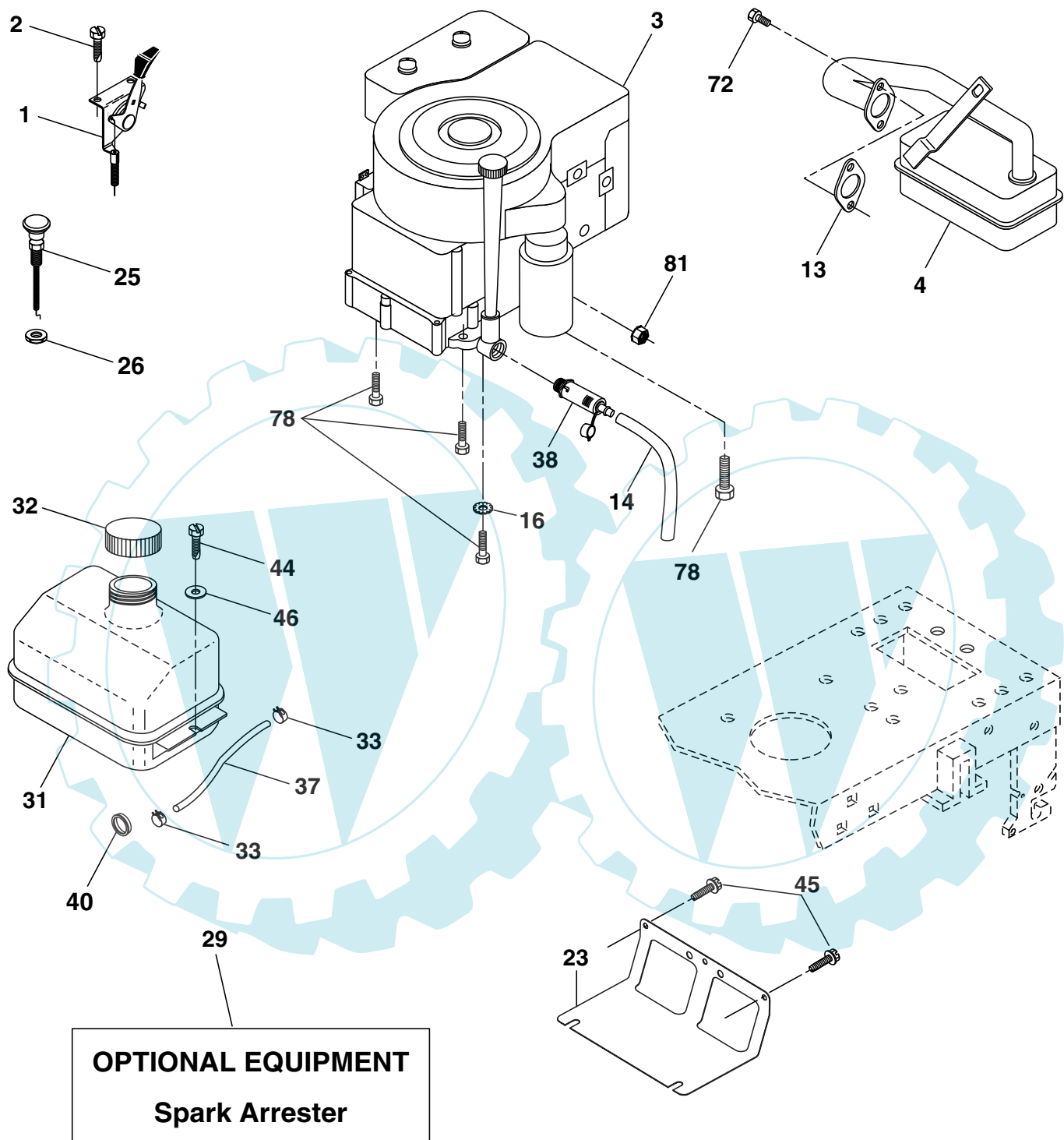


KEY NO.	PART NO.	DESCRIPTION
1	532 17 59-04	Wheel Steering
2	532 17 51-31	Axle Asm
3	532 16 98-40	Spindle Asm LH
4	532 16 98-39	Spindle Asm RH
5	532 12 49-31	Bearing Race Thrust Harden
6	532 12 17-48	Washer 25/32 X 1-5/8 X 16 Ga
7	819 27 20-16	Washer 27/32 X 1-1/4 X 16 Ga
8	812 00 00-29	Ring Klip #t5304-75
9	532 12 49-37	Bearing Col Strg Blk
10	532 17 51-21	Link Drag
11	810 04 06-00	Washer Lock Hvy Hlcl Spr 3/8
12	873 94 08-00	Nut Hex Jam Toplock 1/2-20 Unf
13	532 13 65-18	Spacer Brg Axle Front
15	532 14 52-12	Nut Hex Flange Lock
17	532 18 06-41	Shaft Asm Strg
26	532 12 68-47	Bushing Link Drag Blk LR
28	819 13 14-16	Washer 13/32 X 7/8 X 16 Ga
29	817 06 06-12	Screw 3/8-16x3/4
30	876 02 04-12	Pin Cotter 1/8 X 3/4 Cad
32	532 13 04-65	Rod Tie Wire Form 19 75 Mech
36	532 15 50-99	Bushing Strg
37	532 15 29-27	Screw
38	532 17 59-05	Insert Cap Strg Wh
39	819 18 38-12	Washer 9/16- ID x 2-3/8 OD 12 Ga.
40	532 12 47-01	Lock nut
41	532 10 07-11	Adaptor Wheel Strg
42	532 16 96-33	Boot Steering Shaft
43	532 12 17-49	Washer 25/32 X 1-1/4 X 16 Ga
44	532 18 06-40	Extension Steering Shaft
46	532 12 12-32	Cap Spindle Fr Top Blk
47	532 18 32-26	Fitting Grease
51	873 54 04-00	Nut Crownlock 1/4-28
54	871 13 04-20	Bolt Hex 1/4-28unf x 1-1/4 Gr. 8
65	532 16 03-67	Spacer Brace Axle
67	872 11 06-18	Bolt, Rdhd Sqnk 3/8-16 x 2-1/4
68	532 16 98-27	Axle, Brace
71	532 17 51-46	Steering Asm.
82	532 16 98-35	Bracket Susp Chassis Front
85	532 13 38-35	Fastener Christmas Tree
88	532 17 51-18	Bolt Shoulder 7/16-20
91	532 17 55-53	Clip Steering

NOTE: All component dimensions given in U.S. inches.
1 inch = 25.4 mm.

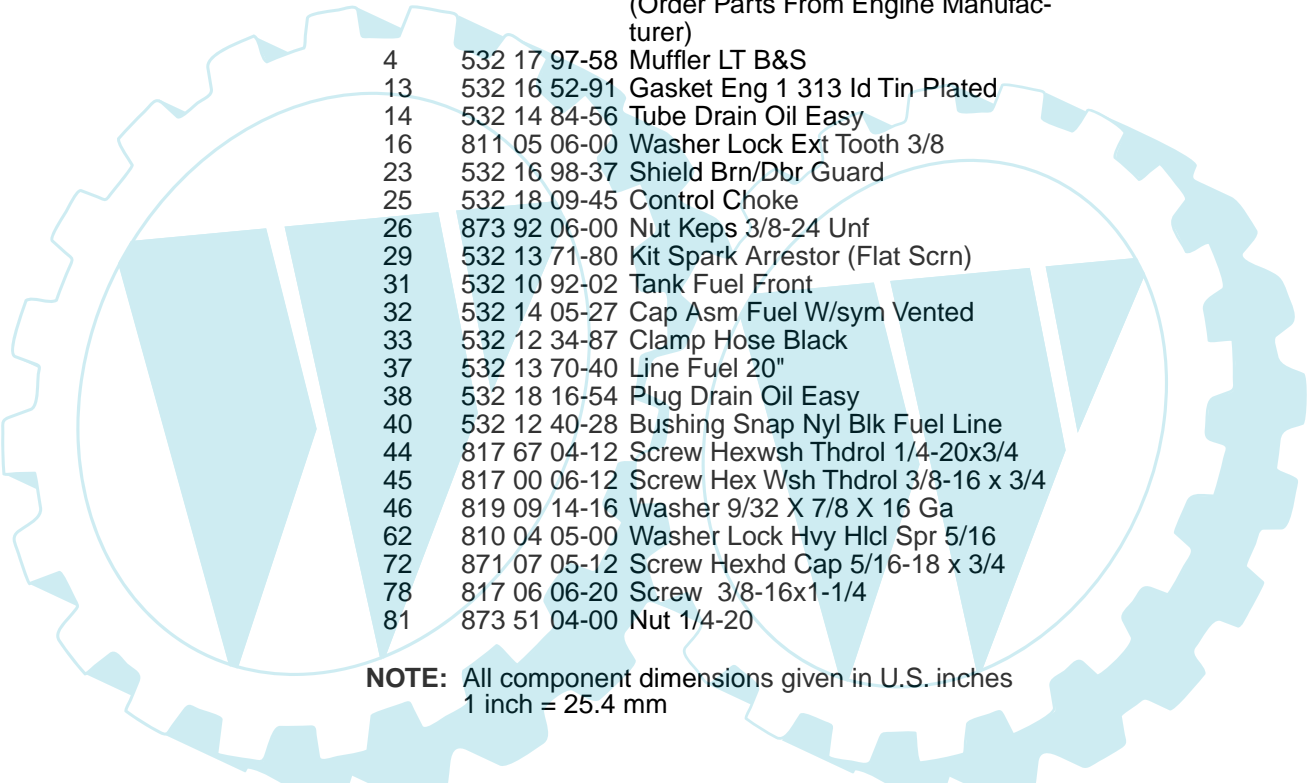
REPAIR PARTS

TRACTOR - MODEL NO. AB12591 (AB12592A), PRODUCT NO. 964 79 41-00
ENGINE



REPAIR PARTS

TRACTOR - MODEL NO. AB12591 (AB12592A), PRODUCT NO. 964 79 41-00
ENGINE

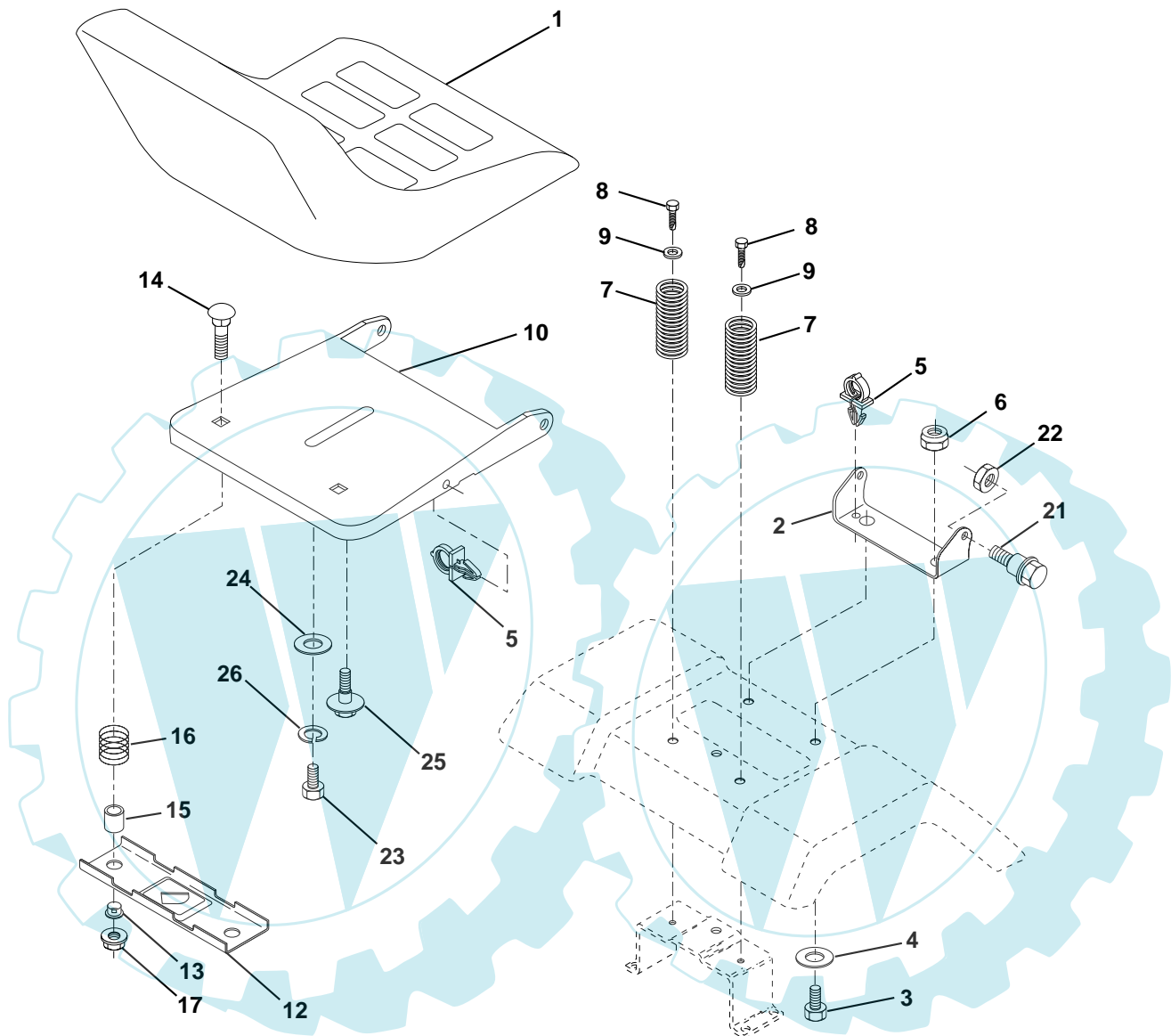


KEY NO.	PART NO.	DESCRIPTION
1	532 17 05-51	Control Th/ch Flag
2	817 72 04-08	Screw Hex Thd Cut 1/4-20 x 1/2
3	-----	Engine B&S Model No. 21A807 (Order Parts From Engine Manufacturer)
4	532 17 97-58	Muffler LT B&S
13	532 16 52-91	Gasket Eng 1 313 Id Tin Plated
14	532 14 84-56	Tube Drain Oil Easy
16	811 05 06-00	Washer Lock Ext Tooth 3/8
23	532 16 98-37	Shield Brn/Dbr Guard
25	532 18 09-45	Control Choke
26	873 92 06-00	Nut Keps 3/8-24 Unf
29	532 13 71-80	Kit Spark Arrestor (Flat Scrn)
31	532 10 92-02	Tank Fuel Front
32	532 14 05-27	Cap Asm Fuel W/sym Vented
33	532 12 34-87	Clamp Hose Black
37	532 13 70-40	Line Fuel 20"
38	532 18 16-54	Plug Drain Oil Easy
40	532 12 40-28	Bushing Snap Nyl Blk Fuel Line
44	817 67 04-12	Screw Hexwsh Thdrol 1/4-20x3/4
45	817 00 06-12	Screw Hex Wsh Thdrol 3/8-16 x 3/4
46	819 09 14-16	Washer 9/32 X 7/8 X 16 Ga
62	810 04 05-00	Washer Lock Hvy Hlcl Spr 5/16
72	871 07 05-12	Screw Hexhd Cap 5/16-18 x 3/4
78	817 06 06-20	Screw 3/8-16x1-1/4
81	873 51 04-00	Nut 1/4-20

NOTE: All component dimensions given in U.S. inches
1 inch = 25.4 mm

REPAIR PARTS

TRACTOR - MODEL NO. AB12591 (AB12592A), PRODUCT NO. 964 79 41-00
SEAT ASSEMBLY



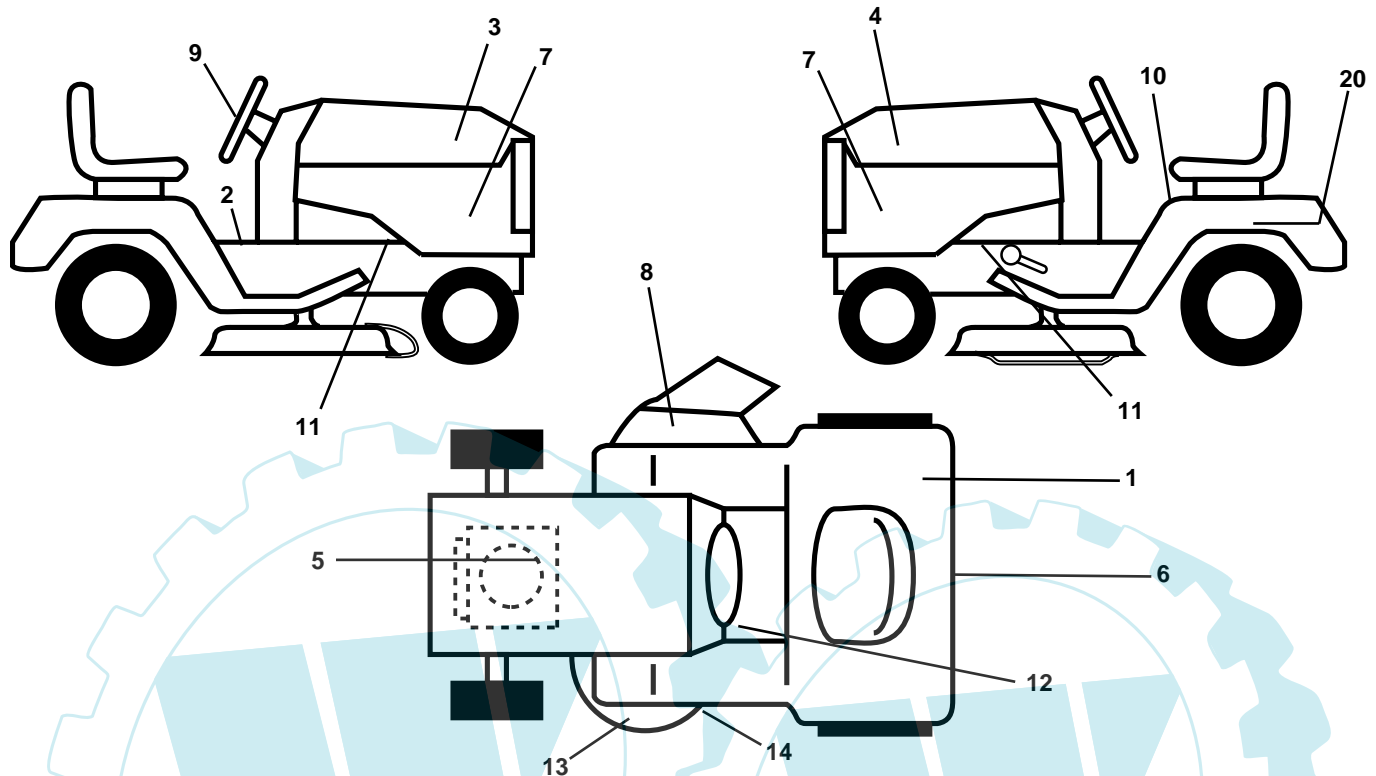
KEY NO.	PART NO.	DESCRIPTION
1	532 12 74-26	Seat
2	532 14 05-51	Bracket Pivot Seat 8 720
3	871 11 06-16	Bolt Fin Hex 3/8-16unc X 1
4	819 13 16-10	Washer 13/32 X 1 X 10 Ga
5	532 14 50-06	Clip Push-In
6	873 80 06-00	Nut Hex w/Ins. 3/8-16 Unc
7	532 12 41-81	Spring Seat Cprsn 2 250 Blk Zi
8	817 00 06-16	Screw 3/8-16 X 1-1/2
9	819 13 16-14	Washer 13/32 X 1 X 14 Ga.
10	532 18 24-93	Pan Seat
12	532 12 12-46	Bracket Mounting Switch
13	532 12 12-48	Bushing Snap Blk Nyl 50 Id

KEY NO.	PART NO.	DESCRIPTION
14	872 05 04-12	Bolt Rdhd Sqnk 1/4-20x1-1/2
15	532 13 43-00	Spacer Split 28x 96 Yel Zinc
16	532 12 12-50	Spring Cprsn 1 27 Blk Pnt
17	532 12 39-76	Nut Lock 1/4 Lge Flg Gr 5 Zinc
21	532 17 18-52	Nut Lock 1/4 Lge Flg Gr 5 Zinc
22	873 80 05-00	Nut Hex Lock W/Ins 5/16-18
23	871 11 08-14	Bolt Hex
24	819 17 19-12	Washer 17/32 X 1-3/16 X 12 Ga.
25	532 12 70-18	Bolt Shoulder 5/16-18 X 62
26	810 04 08-00	Washer Lock Hvy HLCL SPR 1/2

NOTE: All component dimensions given in U.S. inches.
1 inch = 25.4 mm

REPAIR PARTS

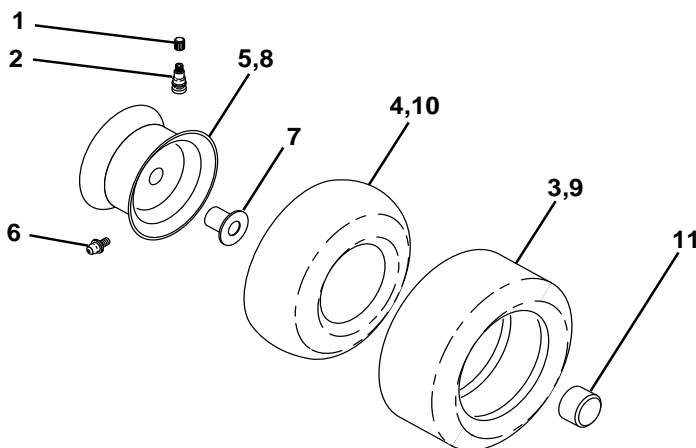
TRACTOR - MODEL NO. AB12591 (AB12592A), PRODUCT NO. 964 79 41-00
DECALS



KEY NO.	PART NO.	DESCRIPTION
1	532 18 04-32	Decal 100 DBA
2	532 14 08-37	Decal Brake Parking Saddle
3	532 16 79-22	Decal Hood RH
4	532 16 79-23	Decal Hood LH
5	532 18 48-55	Decal HP Engine
6	532 16 35-20	Decal Fender
7	532 15 97-13	Decal Panel Side
8	532 18 21-66	Decal Mower Cutfinger
9	532 17 58-29	Decal Steering Wheel
10	532 14 54-98	Decal Read Owner's Manual Syms.
11	532 15 97-36	Decal Chassis Hot Muffler

KEY NO.	PART NO.	DESCRIPTION
12	532 15 97-37	Decal Brake/ Clutch Symbol Lt
13	532 13 49-99	Decal Deck
14	532 13 68-32	Decal V-Belt Schematic
20	532 14 50-05	Decal Bat Dan/Psn
--	532 16 25-98	Decal Drawbar
--	532 13 83-11	Decal Handle Lift Height Adjust
--	532 18 53-24	Manual Parts
--	532 18 51-49	Manual Operator's (Euro.)

WHEELS & TIRES

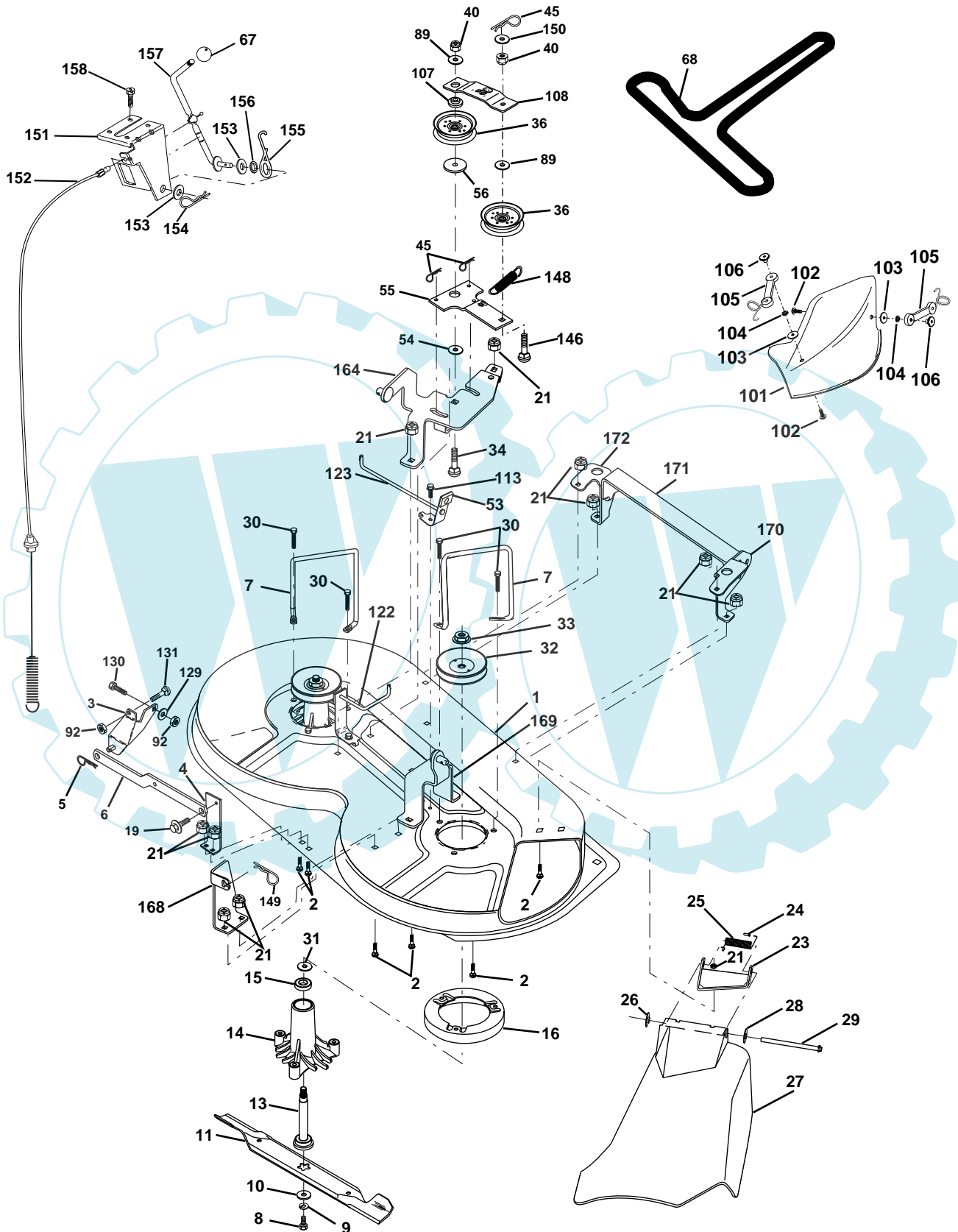


KEY NO.	PART NO.	DESCRIPTION
1	532 05 91-92	Cap Valve Tire
2	532 06 51-39	Stem Valve
3	532 12 41-57	Tire F Ts 15 X 6 0 - 6 Service
4	532 05 99-04	Tube Front (Service Item Only)
5	532 18 33-37	Rim Asm 6" front White Service
6	532 12 49-57	Fitting Grease (Front Wheel Only)
7	532 12 49-59	Bearing Flange (Front Wheel Only)
8	532 18 33-38	Rim Asm 8" rear White Service
9	532 12 36-96	Tire R Ts 18x8 5-8 C Service
10	532 12 49-26	Tube Rear (Service Item Only)
11	532 17 50-39	Cap Axle Blk 1 50 X 1 00
--	532 14 43-34	Sealant, Tire (10 oz. Tube)

NOTE: All component dimensions given in U.S. inches
1 inch = 25.4 mm

REPAIR PARTS

TRACTOR - MODEL NO. AB12591 (AB12592A), PRODUCT NO. 964 79 41-00
MOWER DECK



REPAIR PARTS

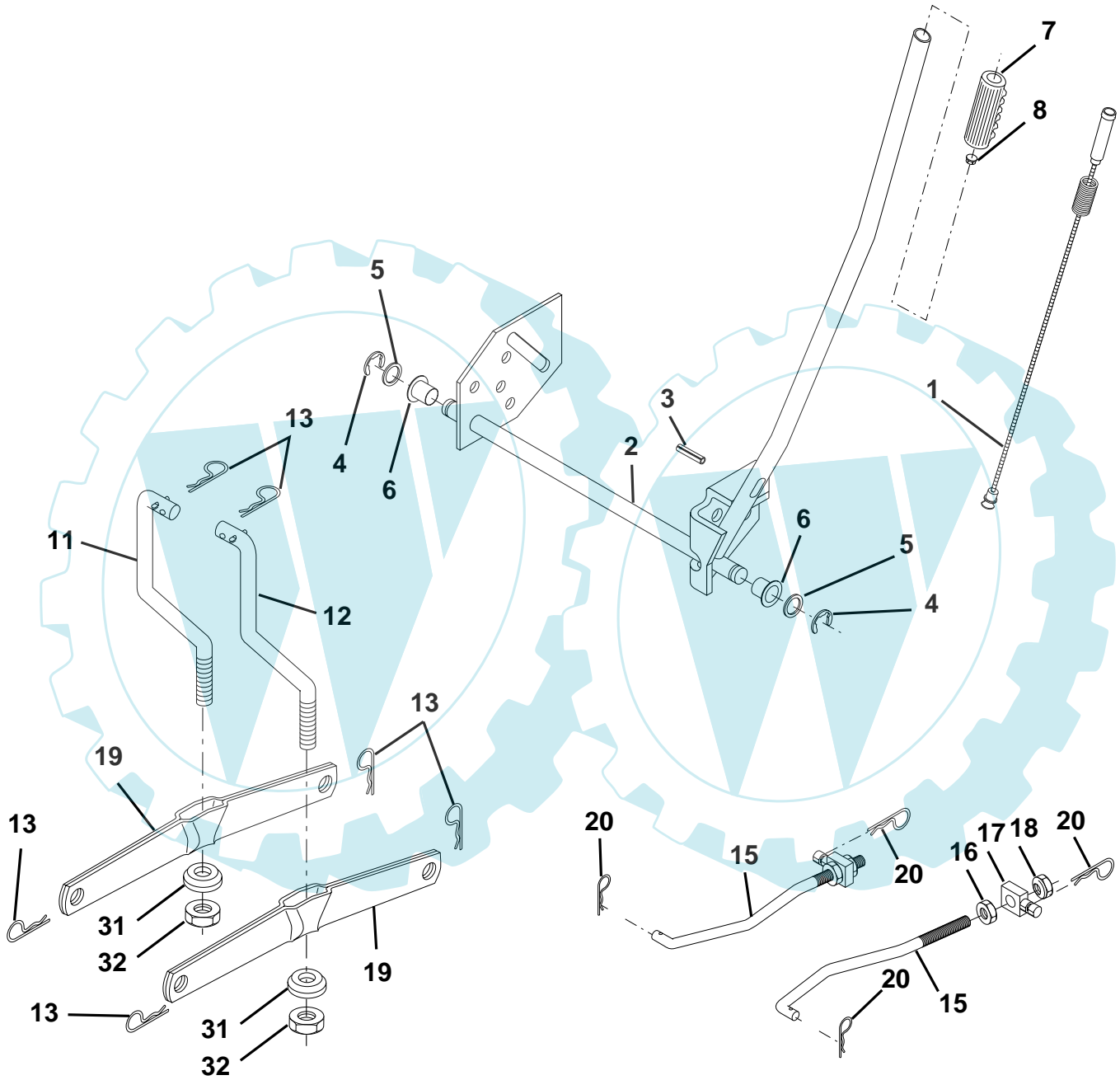
TRACTOR - MODEL NO. AB12591 (AB12592A), PRODUCT NO. 964 79 41-00
MOWER DECK

KEY NO.	PART NO.	DESCRIPTION	KEY NO.	PART NO.	DESCRIPTION
1	532 17 45-95	Mower Deck Assembly	68	532 18 02-13	Belt
2	872 14 05-06	Bolt	89	819 13 16-12	Washer 13/32 x 1 x 12 Ga
3	532 13 80-17	Bracket Assembly,Sway Bar	101	532 14 01-02	Cover Mulching
4	532 17 56-54	Bracket Sway Bar	102	871 08 10-10	Screw Pan Hd Phillip 10-24 x 5/8
5	532 12 46-70	Retainer Spring	103	819 06 12-16	Washer #10
6	532 17 80-24	Bar Sway Deck	104	810 07 10-00	Washer Lock #10
7	532 14 06-08	Keeper Belt	105	532 16 07-93	Latch Asm.
8	532 85 08-57	Bolt, Hex 3/8-24 x 1.25 Gr. 8	106	532 12 50-04	Nut Weld
9	810 03 06-00	Washer, Lock Hvy Hlcl 3/8	107	532 13 35-02	Spacer, Retainer
10	532 14 02-96	Washer, Hardened	108	532 13 35-03	Stiffener, Idler Arm
11	532 13 84-96	Blade, Mower	113	817 49 05-08	Screw Thdrol 5/16-18 x 1/2
13	532 13 76-45	Shaft Assembly, Mandrel,	122	532 17 45-05	Rod, Brake, LH
14	532 12 87-74	Housing, Mandrel, Vented	123	532 17 45-04	Rod, Brake, RH
15	532 11 04-85	Bearing, Ball, Mandrel	146	532 16 58-91	Bolt Carriage Idler
16	532 17 44-93	Stripper, Mower Deck	148	532 16 90-22	Spring Return Idler
19	532 13 28-27	Bolt, Shoulder	149	532 16 58-98	Retainer Spring Yellow Zinc
21	873 68 05-00	Nut Crownlock 5/16-18	150	819 09 12-16	Washer 9/32 x 3/4 x 16 Ga.
23	532 13 66-31	Bracket, Mower Deflector	151	532 16 96-70	Bracket Clutch
24	532 10 53-04	Cap, Sleeve	152	532 17 60-79	Cable Clutch
25	532 12 37-13	Spring, Torsion, Deflector	153	532 16 96-74	Washer Flat 3/8" Type B
26	532 11 04-52	Nut, Push	154	532 16 96-75	Spring Retainer
27	532 17 61-62	Shield, Deflector	155	532 16 96-71	Spring Retention Lever
28	819 11 10-16	Washer 11/32 x 5/8 x 16 Ga.	156	532 16 96-72	Spacer
29	532 12 19-80	Rod, Hinge	157	532 16 96-69	Rod Clutch
30	532 17 39-84	Screw Thdrol	158	817 72 04-08	Screw Hex Thd Cut 1/4-20 x 1/2
31	532 12 99-63	Washer, Spacer	164	532 17 49-76	Bracket Asm Idler Support
32	532 15 35-31	Pulley, Mandrel	168	532 17 23-77	Bracket Deck Cable
33	532 17 83-42	Nut, Toplock, Flanged	169	532 17 49-77	Bracket Asm Suspension
34	872 11 06-14	Bolt Rdhd 3/8-16 x 1-3/4	170	532 17 23-59	Bracket Suspension RF
36	532 13 14-94	Pulley, Idler, Flat	171	532 16 52-37	Bracket Support Susp. Frt
40	873 68 06-00	Nut Crownlock 3/8-16			
45	532 12 47-88	Retainer, Spring			
53	532 13 08-40	Brake Assembly			
54	532 17 85-15	Washer, Hardened			
55	532 13 38-40	Idler Arm Assembly			
56	532 16 57-23	Spacer, Retainer			
67	532 10 69-32	Knob RD 3/8-16 Plstc Thd			

NOTE: All component dimensions given in U.S. inches
 1 inch = 25.4 mm

REPAIR PARTS

TRACTOR - MODEL NO. AB12591 (AB12592A), PRODUCT NO. 964 79 41-00
MOWER LIFT



REPAIR PARTS

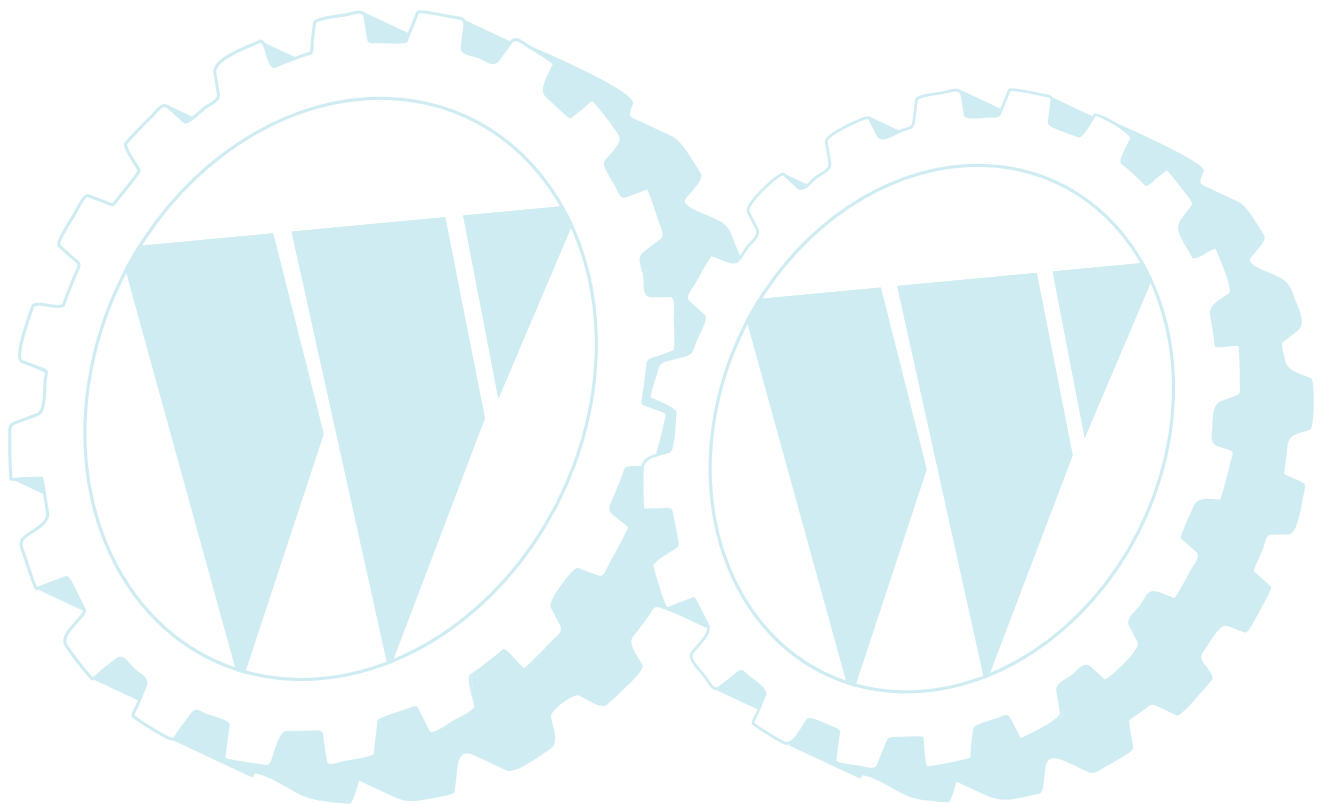
TRACTOR - MODEL NO. AB12591 (AB12592A), PRODUCT NO. 964 79 41-00
MOWER LIFT

KEY NO.	PART NO.	DESCRIPTION
1	532 15 94-60	Wire Asm Inner/Spring W/plunger
2	532 15 94-71	Shaft Asm Lift
3	532 10 57-67	Pin Groove
4	812 00 00-02	E Ring #5133-62
5	819 21 16-21	Washer PLTD 21/32 X 1 X 21ga
6	532 12 01-83	Bearing Nylon Blk 629 Id
7	532 10 94-13	Grip Handle
8	532 12 45-26	Button Plunger Black
11	532 13 98-65	Link Lift LH
12	532 13 98-66	Link Lift RH
13	532 12 46-70	Retainer Spring
15	532 17 32-88	Link Front
16	873 35 08-00	Nut Jam Hex 1/2-13 Unc
17	532 17 56-89	Trunnion
18	873 80 08-00	Nut Lock W/wsh 1/2-13unc
19	532 13 98-68	Arm Suspension Rear
20	532 16 35-52	Spring, Retainer
31	532 16 98-65	Bearing Pvt. Lift
32	873 54 06-00	Nut Crownlock 3/8-24

NOTE: All component dimensions given in U.S. inches
1 inch = 25.4 mm







LIMITED WARRANTY

The Manufacturer warrants to the original consumer purchaser that this product as manufactured is free from defects in materials and workmanship. For a period of one (1) year from date of purchase by the original consumer purchaser, we will repair or replace, at our option, without charge for parts or labor incurred in replacing parts, any part which we find to be defective due to materials or workmanship. This Warranty is subject to the following limitations and exclusions.

1. This warranty does not apply to the engine. Please contact your nearest dealer where they will send the machine to the engine manufacturer.
2. Transportation charges for the movement of any power equipment unit or attachment are the responsibility of the purchaser. Transportation charges for any parts submitted for replacement under this warranty must be paid by the purchaser unless such return is requested by your dealer.
3. Battery Warranty: On products equipped with a Battery, we will replace, without charge to you, any battery which we find to be defective in manufacture, during the first ninety (90) days of ownership. After ninety (90) days, we will exchange the Battery, charging you 1/12 of the price of a new Battery for each full month from the date of the original sale. Battery must be maintained in accordance with the instructions furnished.
4. The Warranty period for any products used for rental or commercial purposes is limited to 90 days from the date of original purchase.
5. This Warranty applies only to products which have been properly assembled, adjusted, operated, and maintained in accordance with the instructions furnished. This Warranty does not apply to any product which has been subjected to alteration, misuse, abuse, improper assembly or installation, delivery damage, or to normal wear of the product.
6. Exclusions: Excluded from this Warranty are belts, blades, blade adapters, normal wear, normal adjustments, standard hardware and normal maintenance.
7. In case of any problem within the boundaries of this warranty, contact the nearest department store, indicate the model number, serial number and the date of purchase of your machine. This warranty does not apply to accidental damages. All implicit warranties are limited to the same time frames. Or contact:

E.M. Services
54 Rue Lambrechts
92400 Courbevoie
France
Telephone: (1) 46678078
Fax: (1) 46678095

THIS WARRANTY DOES NOT APPLY TO INCIDENTAL OR CONSEQUENTIAL DAMAGES. ANY IMPLIED WARRANTIES ARE LIMITED TO THE SAME TIME PERIODS STATED HEREIN.



Ihr Ersatzteilspezialist im Internet